

A CONTEMPORARY
UPDATE TO A
Classic
AND CHARMING STYLE



Essential, Lyke Homes





What is a Double Hung Window?

Once considered a hallmark of classic design, the double-hung window is making a stylish comeback in contemporary architecture. This classic window style boasts two sashes that can move independently or simultaneously, offering versatility when opened from the top or bottom. When closed, the sashes meet in the centre and are secured by a latch.

Ideal Location

Double hung windows are an ideal choice for areas where protruding sashes aren't practical or where wall space is limited. These stylish windows not only enhance the aesthetic appeal of your space but also provide an effective solution for ventilation and allow natural light to enter the room.



Choose your Double Hung Window

Review and compare the features of our double hung window range. Select the grade that best suits your lifestyle, design and performance requirements: our standard Essential or architectural Signature CB.



Lifestyle & Comfort

Control air circulation¹

Choose the airflow location into the home (either through the top, bottom or both).

Lockable hardware

Handles can be fitted with key locks for additional security.

Keyed alike

Can be 'keyed alike' with other Bradnam's windows for added convenience.

Screening solutions

Insect, safety and security screen solutions are available.

Design & Aesthetic

No such thing as standard

Design possibilities are endless, with a wide range of configurations available.

Beautiful colonial bar patterns

Choose from colonial, federation and heritage patterns.

Range of glass options

Available in a wide range of obscure, tinted and coloured glass.

Concealed fixings

No unsightly visible screws or rivets.

Big bold sizes Signature CB only

Frame a perfect view and maximise natural light and ventilation.

Performance & Reliability

Operate with ease²

Ergonomic handle and high-performance springs and rollers combine to provide effortless operation.

Durable powder coat finish

Interpon Textura® is a textured finish that provides exceptional durability and resilience.

Compliant with Australian Standards

Designed and tested for full compliance with Australian Standards.

Reduce outside noise

Transform your home into a peaceful sanctuary with our Sound Smart™ upgrade.

Suitable for cyclonic regions

Designed to withstand strong winds and heavy rain.

Bushfire rated

Certified up to BAL 40

Double glazing Signature CB only

Upgrade to double glazing to reduce your electricity bills.

Technical Data

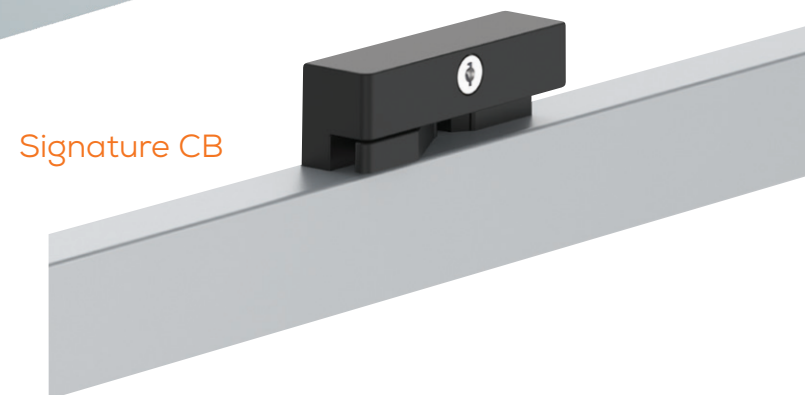
	Essential	Signature CB
Frame Size	52mm	100mm
Maximum Water Rating	450Pa	600Pa
Maximum Wind Rating	4500Pa ULS	6000Pa ULS
Maximum Acoustic Rating	Rw32	Rw35
Lowest U-value – Single Glazed	4.3	4.8
Lowest U-value – Double Glazed	Not Available	3.4



Handles



Essential



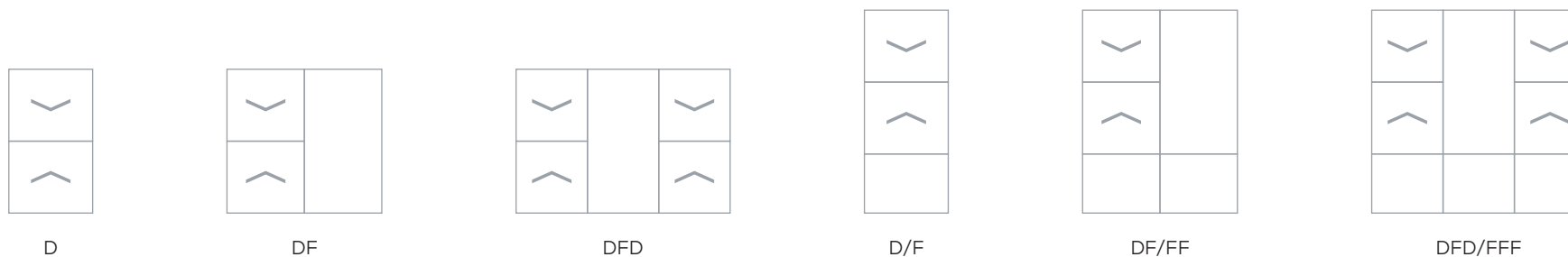
Signature CB

Handles are available in three colours: Black, White and Ultra Silver.



Configurations For Any Design

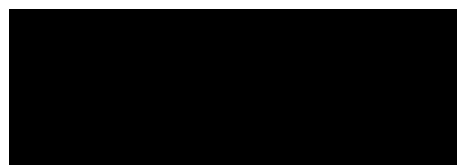
Just as practical as they are charming, Bradnam's Double Hung Windows are available in various configurations to suit every lifestyle. You can enhance their appeal by adding fixed windows, creating a stunning statement wall that maximises natural light and ventilation. Below are a few of the most popular configurations.



D = Operable Sashes, F = Fixed Arrow indicates sliding direction

Customise With Colour

Double Hung Windows are available in various colours, including shades of grey, beige, white, cream, and black. They can seamlessly blend into your home's colour scheme or be eye-catching statement pieces. A few of the most popular colours are shown below. Consult our nearest showroom to learn more about the full colour range and the different powder coat finishes.



Textura® Black



Textura® Woodland Grey



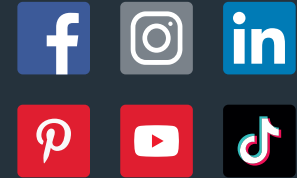
Textura® Silver



Textura® White



VISIT US ON SOCIAL MEDIA



WINDOWS & DOORS

INSECT & SECURITY SCREENS

SHOWER SCREENS

MIRRORS & WARDROBES

GLASS SPLASHBACKS & SHELVING



Australian Owned & Made

Bradnam's products are proudly made in Australia and designed specifically to meet all Australian conditions.

Product availability, pricing, features, options, sizes, configurations and performance are subject to regional variations, design requirements and building codes.

Images are for illustration purposes only and may not accurately represent the product. Bradnam's Windows & Doors reserves the right to change, alter or delete any aspect of this product without notice.

We recommend visiting a Bradnam's showroom before ordering to view colour swatches, glass samples and actual products.



Bradnam's
windows & doors